

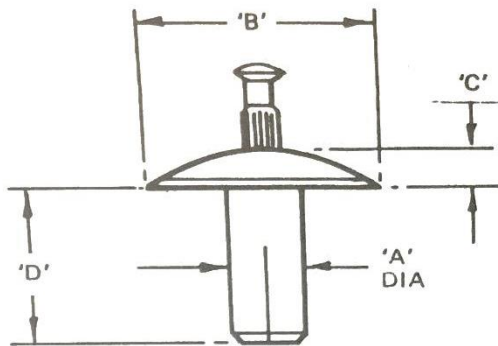
5141 Drive Rivet

Features

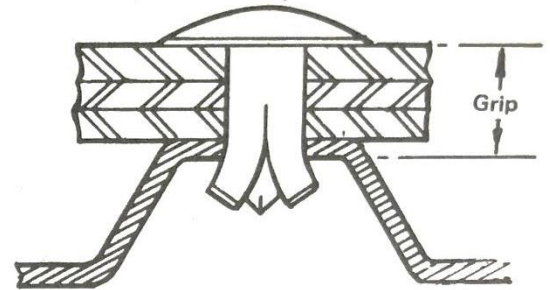
- Easy to install and remove
- Dome head type

Material

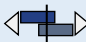

- Body: Aluminium alloy, plain finish
- Stem: Stainless steel 305, plain finish



Before Placement



After Placement

Part No.	Size ∅ ("A")	Grip Range		Recommended Hole Size	B	C	D	 Shear (typical) kN	 Tension (typical) kN
		min.	max.						
5141-0617	4.8 (3/16")	1.9	4.4	4.9	15.7	2.0	8.2	4.6	3.0
5141-0627		4.4	6.9				10.8		
5141-0637		6.9	9.5				13.4		
5141-0647		9.5	12.0				16.0		
5141-0657		12.0	14.6				18.5		
5141-0667		14.6	17.1				21.1		
5141-0677		17.1	19.6				23.6		
5141-0687		19.6	22.2				26.2		
5141-0697		22.2	24.8				28.7		
5141-6104		24.0	26.5				30.4		